

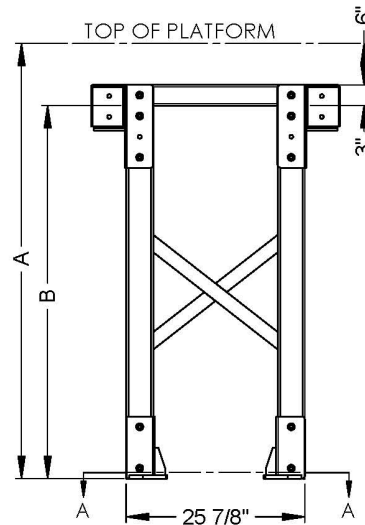
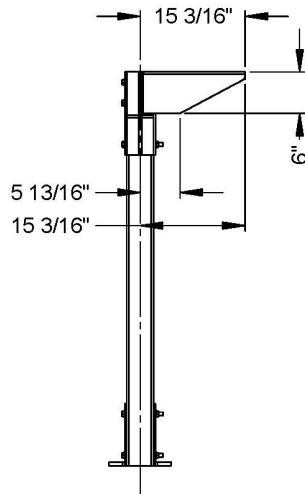
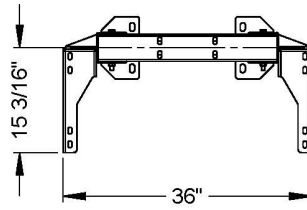
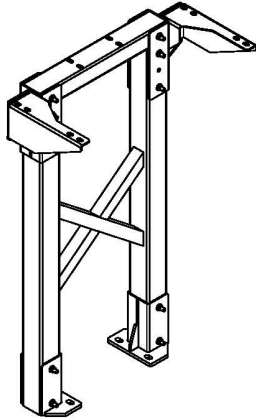


DIMENSIONAL SPEC SHEET

ErectAStep
219 Safety Avenue
Andrews, SC 29510
Phone 888-878-1839
Fax 843-264-8584

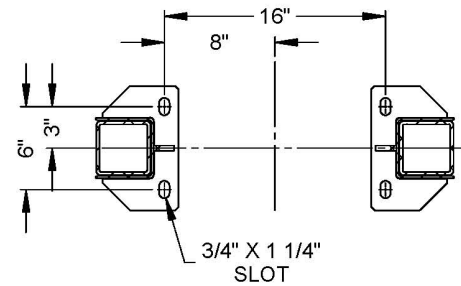


TOWERS



DIMENSIONAL CALCULATION
 $A = B + 9"$
 $B = \# \text{ OF STEPS} \times 9"$

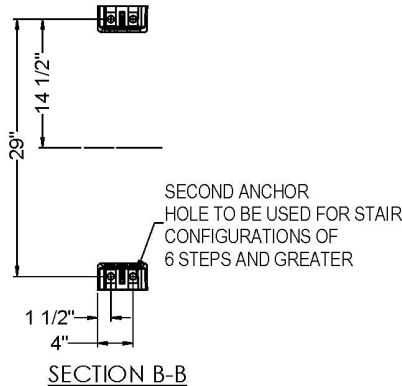
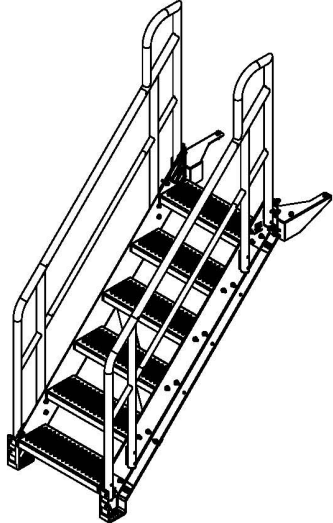
	EST SHIPPING WT.
1 STEP	13 lbs.
2 STEP	16 lbs.
3 STEP	64 lbs.
4 STEP	70 lbs.
5 STEP	76 lbs.
6 STEP	82 lbs.



SECTION A-A

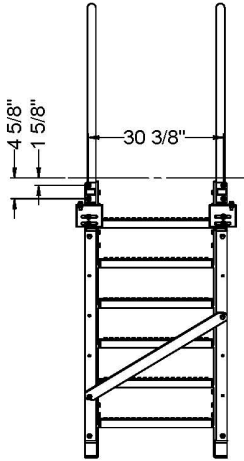
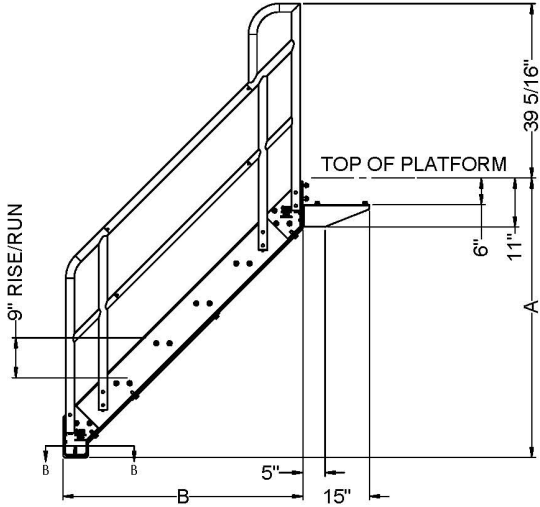
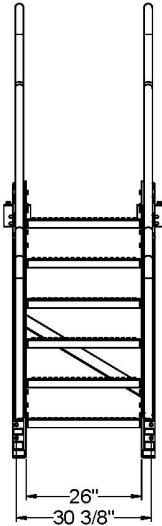


STAIRS

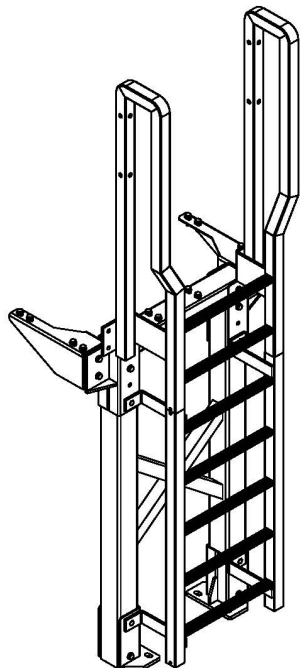


DIMENSIONAL CALCULATION
 $A = B + 9"$
 $B = \# \text{ OF STEPS} \times 9"$

	EST SHIPPING WT.
1 STEP	32 lbs.
2 STEP	50 lbs.
3 STEP	109 lbs.
4 STEP	124 lbs.
5 STEP	138 lbs.
6 STEP	152 lbs.



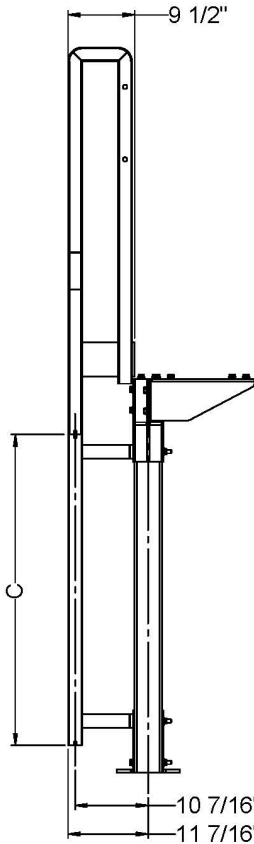
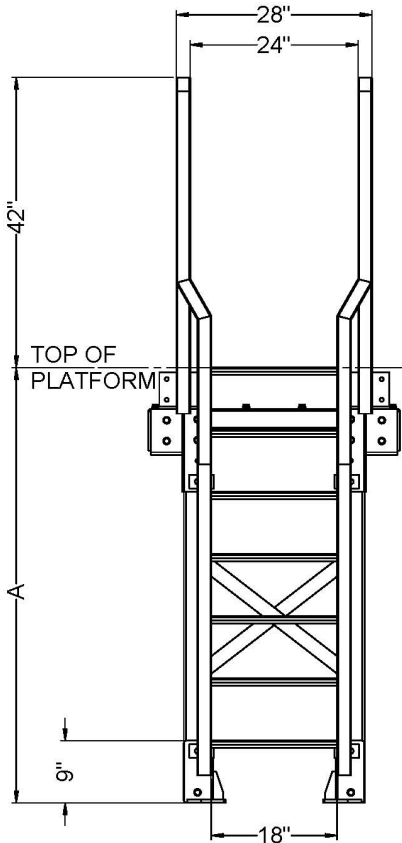
LADDERS



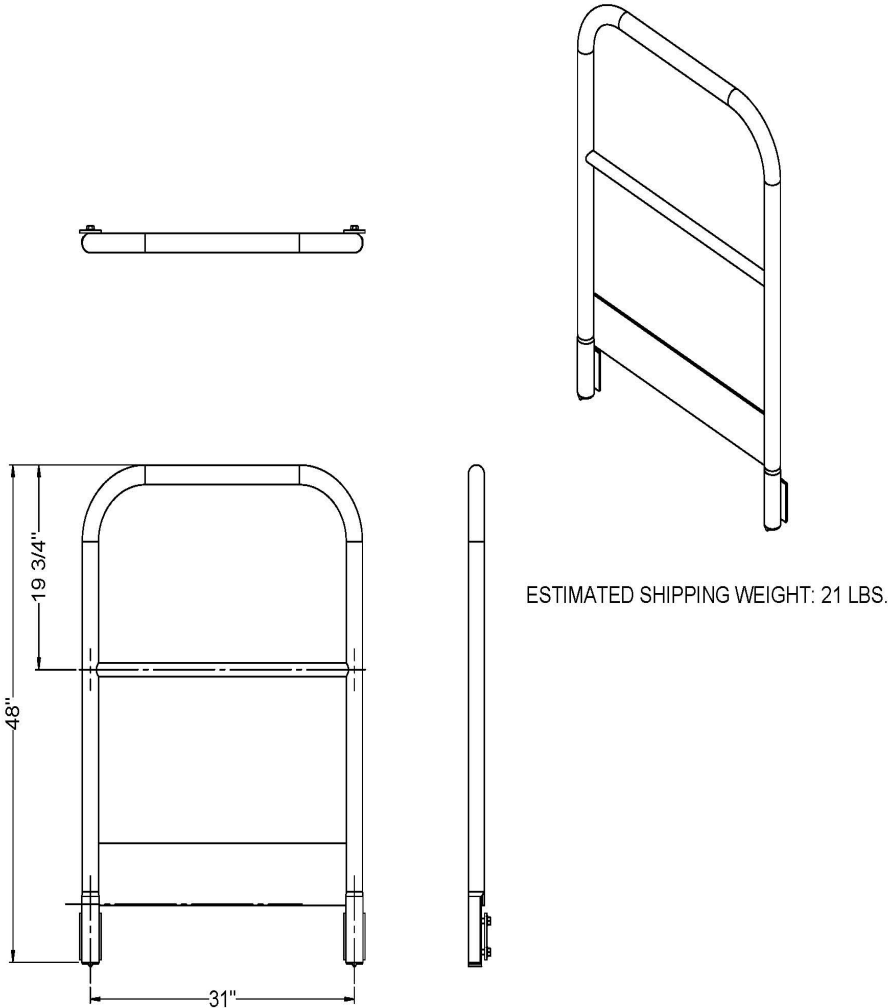
	EST SHIPPING WT.
1 STEP	30 lbs.
2 STEP	32 lbs.
3 STEP	38 lbs.
4 STEP	40 lbs.
5 STEP	42 lbs.
6 STEP	44 lbs.

* WEIGHT DOES NOT INCLUDE TOWER

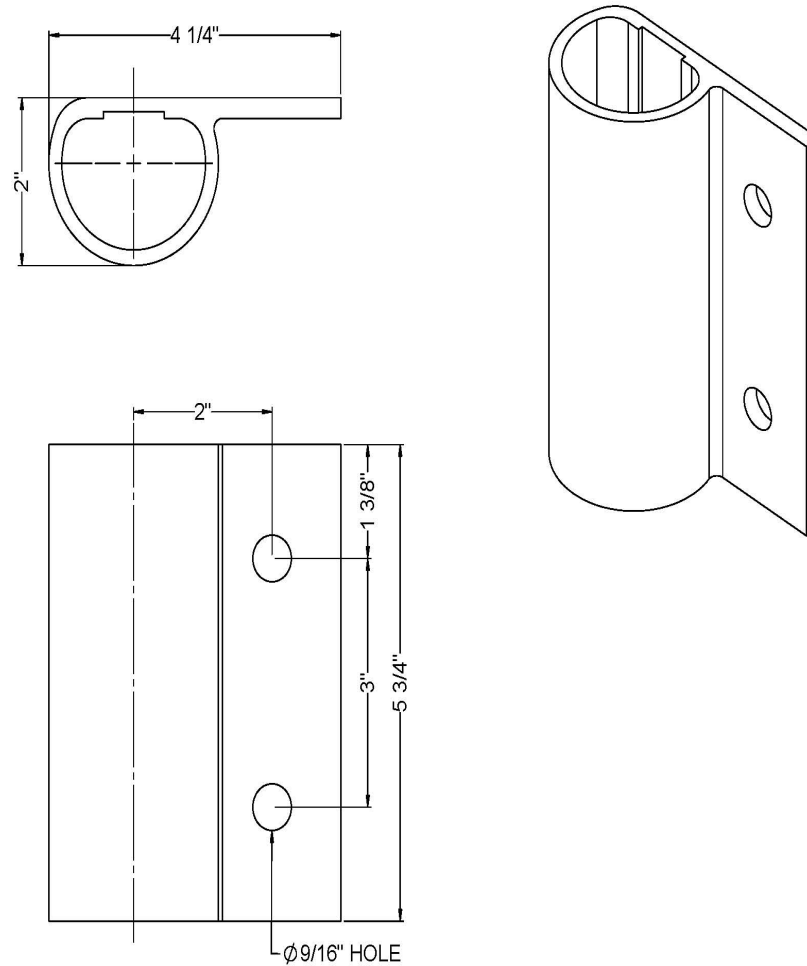
DIMENSIONAL CALCULATION
 $A = B + 9"$
 $B = \# \text{ OF STEPS} \times 9"$
 $C = B - 9"$



HANDRAILS



HANDRAILS SOCKETS



ERECTA STEP[®]